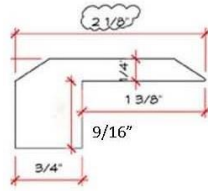
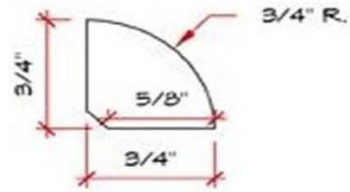


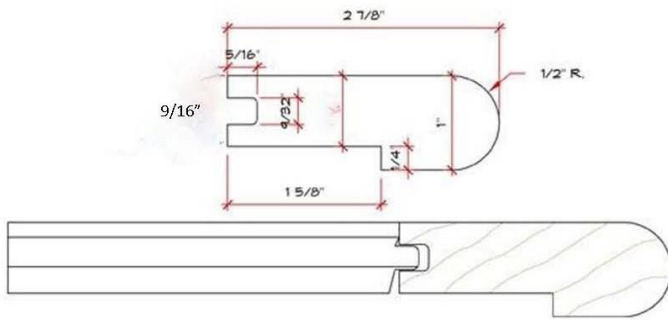
Reducer 78" in length



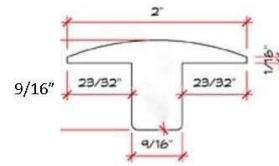
Threshold 78" in Length



Quarter Round 96" in length



Stairnose 84" in Length



T-Molding 78" in Length